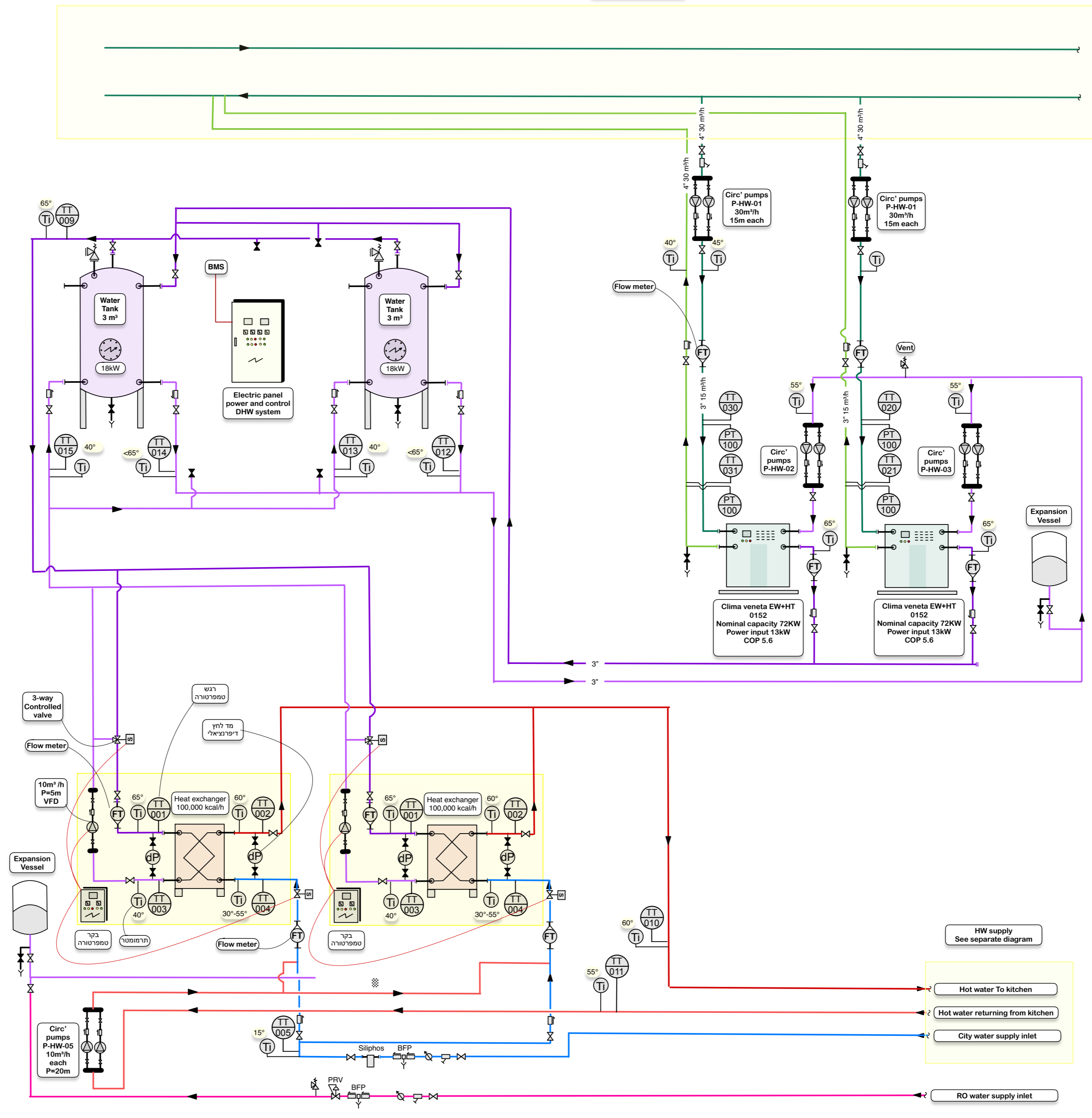


Main heating water supply system - 50°



SENSORS LEGEND:

- Pressure transmitter (PT 100)
- Pressure indicator (PI)
- Differential pressure indicator (dP)
- Temperature transmitter (TT 015)
- Temperature indicator (TI)
- Flow transmitter (FT)
- Flow indicator (FI)

PIPES LEGEND:

- Chilled water - return (green line)
- Chilled water - supply (blue line)
- Heating water - return (purple line)
- Heating water - supply (red line)
- DHW - return (orange line)
- DHW - supply (yellow line)
- City water (blue line)

ACCESORIES LEGEND:

- Valve
- Water meter
- Strainer
- Backflow preventer
- Air vent / Relief valve
- Check valve
- Controlled valve - hydraulic
- Controlled valve - electric
- Silphos
- Pressure reducing valve
- Pump

PAPISH.eng
 5 Brandeis St. | Tel-Aviv | 62001
 Tel-03-6041125 | office@papish.co.il

No.	Description	Date
2	נתוני משאבות סחרור ופירוט נוסף	15-2-23



המזמין :
 אדריכל :
 שם הפרויקט :

סטוס

<input type="checkbox"/>	לעיון
<input type="checkbox"/>	לאישור
<input checked="" type="checkbox"/>	למכרז
<input type="checkbox"/>	לביצוע

Project number	21p08
Date	15-02-2023
Drawn by	David
Checked by	Papish

DHW SYSTEM PROPOSAL

Sheba kitchen

Scale: None Format: A2